



SOMBRANO® S+



01/2026 en - 259 420 01.521 © by Glatz AG

SOMBRANO® S+

The flagship parasol

> 98 %
UV
Protection



Frame	8 ribs Aluminium Mast profile oval 66 x 95 x 3 mm Crank housing, trolley, support arm guide and head made from die-cast aluminium Screws and rivets made from stainless steel M4 turnable ball-bearing base, powder-coated cast steel, is included
Function	Crank drive for synchronous opening Roof pitch in both directions up to 54° using a comfort crank 360° rotation thanks to the turnable base with pedal
Frame colour	Natural anodised aluminium or anthracite powder-coated aluminium
Canopy	Fabric Quality 5: polyacrylic, 300 g/m², UV protection > 98 % Fabric Quality 4: polyester, 250 g/m², UV protection > 98 % Fabric Quality 2: polyester, 220 g/m², UV protection > 98 %, (only in anthracite frame) Self-tensioning through flexible rib ends
Flounce	Only available without
Protective cover	Included in delivery
Electrical accessories	Osyryon Spot LED with integrated battery pack



Usage locations



Fixation



SOMBRANO® S+
Int. Patents reg. © Int. Design reg.

Valid from 1.1.2026
glatz.com



Glatz 

Assortment

Frame aluminium

Shape	Nominal size	Number of ribs	Order no. anodised natural	Order no. anthracite powder-coated
	cm			
○	Ø 350	8	085 00 350 171	085 00 350 301
	Ø 400	8	085 00 400 171	085 00 400 301
□	300 x 300	8	085 00 310 171	085 00 310 301
	350 x 350	8	085 00 351 171	085 00 351 301
▭	400 x 300	8	085 00 402 171	085 00 402 301

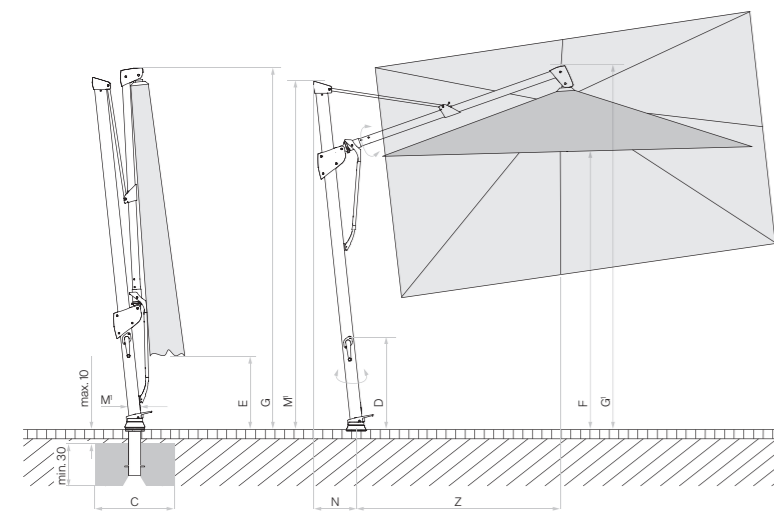
Nominal size	Lateral distance	Mast Ø	Area covered	Crank handle height	Height closed	Clear headroom	Tolerance clear headroom	Total height / open	Height of mast	Over-hang at the back	Length of free-arm	Foundation	Minimum weight for base	Max. wind speed open
A	AS	M	D	E	F	G / G ¹	M ¹	N	Z	C				
Ø 350	325	6.6 x 9.5	9.6	69	90	205	9.1	285 / 285	275	33	165	70 x 70	120	45 (6)
Ø 400	370	6.6 x 9.5	12.6	69	85	210	9.2	300 / 295	275	33	185	80 x 80	180	35 (5)
300 x 300	-	6.6 x 9.5	9	69	55	215	9.3	285 / 285	275	33	165	70 x 70	120	45 (6)
350 x 350	-	6.6 x 9.5	12.2	69	40	215	9.3	300 / 295	275	33	185	80 x 80	180	35 (5)
400 x 300	-	6.6 x 9.5	12	69	35	210	9.2	300 / 295	275	33	185	80 x 80	180	35 (5)

The listed measures represent extrapolated average values that may be slightly different on the product (± 2 % ± 5 cm).

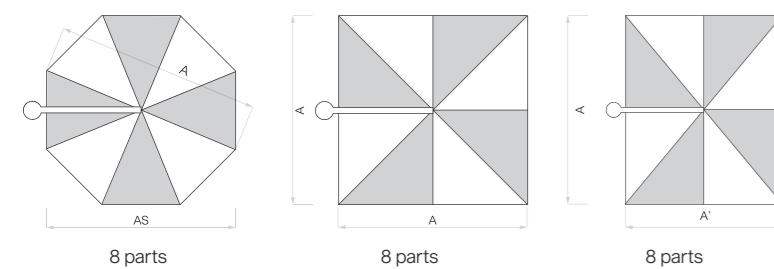
The height dimensions are based on the ground socket M4. With the base M4, 120 kg these vary by plus 11.5 cm and with the base M4, 180 kg by plus 15.5 cm. With the natural granite base, 120 kg these vary by plus 9.5 cm and with the natural granite base with set of castors by plus 14 cm.

The max. wind speed limits as per our separate sheet apply only if the parasol canopy is in a horizontal position and if there is a fix ground anchorage. A base with the specified minimum weight is not sufficient.

In the presence of several parasols, the minimum distance between one parasol and another and between parasols and walls shall be 20 cm.



Loose cover max. 10 cm, concrete thickness min. 30 cm (pay attention to frost depth), guarantee water drainage



Accessories SOMBRANO® S+

Protective cover	Absolutely necessary	Order no.
Protective cover made of coated, tear-resistant polyester fabric		
1 Protective cover with zip and rod to Sombrano, Ø 350, 300 x 300 cm		350 01 221 492
5 pieces, protective cover with zip and rod to Sombrano, Ø 350, 300 x 300 cm		350 01 221 493
1 Protective cover with zip and rod to Sombrano, Ø 400, 400 x 300, 350 x 350 cm		350 01 221 502
5 pieces, protective cover with zip and rod to Sombrano, Ø 400, 400 x 300, 350 x 350 cm		350 01 221 503

Accessories

Electrical accessories	Absolutely necessary	Order no.
2 OSYRION Spot LED battery-powered light, set of 2, with remote control, including charger		350 01 563 000
3 OSYRION Spot LED battery-powered light, set of 4, with remote control, including charger		350 01 563 100

Accessories SOMBRANO® S+

Fixations	Absolutely necessary	Order no.
Ground sockets		
4 Ground socket M4, hot-dip galvanised steel		350 01 226 510
Mounting plates		
5 Mounting plate M4 / M8, 30 x 30 x 1.5 cm, hot-dip galvanised steel		350 01 226 921
6 Mounting plate M4 special, for installation height 50–149 mm, hot-dip galvanised steel		350 01 226 932
7 Mounting plate M4 special, for installation height 150–350 mm, hot-dip galvanised steel		350 01 226 930
8 Mounting plate M4 for high insulation (50-350 mm), installation height (50-350 mm) made to measure (higher on request), hot-dip galvanised steel		350 01 222 510
Wall consoles		
9 Wall console M4, extension 480 mm, hot-dip galvanised steel		350 01 229 405
10 Wall console M4, extension 100 mm, hot-dip galvanised steel (Not suitable for Turnable adapter M4 for M4)		350 01 229 410
Bases		
11 Base frame M4, 120 kg, (for 8 plates 40 x 40 x 4 cm), 91 x 91 x 11.5–15.5 cm, hot-dip galvanised steel, adjustable and levellable (price without plates)		350 01 108 235
Slab set, 8 pieces, 40 x 40 x 4 cm, (approx. 110 kg), concrete		350 01 226 908
Slab set, 8 pieces, 40 x 40 x 4 cm, (approx. 115 kg), 4 pieces concrete, 4 pieces in granite-look		350 01 226 909
12 Cover for M4 base 120 kg, 96 x 96 x 11.5 cm, plastic ABS coated, anodised aluminium look		350 01 100 617
13 Cover for M4 base 120 kg, 96 x 96 x 11.5 cm, plastic ABS coated, anthracite		350 01 100 630
14 Base frame M4, 180 kg, (for 12 plates 40 x 40 x 4 cm), 91 x 91 x 15.5–19.5 cm, hot-dip galvanised steel, adjustable and levellable (price without plates)		350 01 108 335
Slab set, 12 pieces, 40 x 40 x 4 cm, (approx. 165 kg), concrete		350 01 226 907
Slab set, 12 pieces, 40 x 40 x 4 cm, (approx. 170 kg), 8 pieces concrete, 4 pieces in granite-look		350 01 226 906
12 Cover for M4 base 180 kg, 96 x 96 x 15 cm, plastic ABS coated, anodised aluminium look		350 01 100 717
13 Cover for M4 base 180 kg, 96 x 96 x 15 cm, plastic ABS coated, anthracite		350 01 100 730
¹⁰ Set of castors for base M4 120 kg / 180 kg, (maximum weight 240 kg), Ø 5 cm, H = 5.5 cm, galvanised steel		350 01 100 500
15 ¹ Natural granite base M4, 120 kg, 87 x 87 x 9.5 cm, natural stone		350 01 109 495
15 ¹ Natural granite base M4, 120 kg, 87 x 87 x 9.5 cm, natural stone, matt ^{NEW}		350 01 109 438
16 ¹ Set of castors for natural granite base Z, 40/55/90 kg / M4, 120 kg, Ø 5 cm, galvanised steel		350 01 109 487
16 ^{3,4} Set of castors for natural granite base Z, 40/55/90 kg / M4, 120 kg, Ø 5 cm, high-grade steel 1.4301 / 304		350 01 109 486
Bases with castors		
17 ^{1,3,7} Base frame with castors M4, 90/120 kg, 80 x 80 x 14.6 cm, hot-dip galvanised steel, white RAL 9016, frame approx. 30 kg (without decorative plate)	Weight Set + decorative plate	350 01 113 610
18 ^{3,7} Base frame with castors M4, 90/120 kg, 80 x 80 x 14.6 cm, hot-dip galvanised steel, anthracite RAL 7016, frame approx. 30 kg (without decorative plate)	Weight Set + decorative plate	350 01 113 620
Weight Set for base with castors M4, 90/120 kg, 4 pieces, concrete, (Weight Set approx. 90 kg)		350 01 110 500
19 ¹ Decorative plate in grey white RAL 9002 for base with castors M4, 90/120 kg, aluminium composite		350 01 113 710
20 Decorative plate in anthracite RAL 7016 for base with castors M4, 90/120 kg, aluminium composite		350 01 113 720
17 ^{1,3,7} Base frame with castors M4, 180 kg, 94 x 94 x 14.6 cm, hot-dip galvanised steel, white RAL 9016, frame approx. 30 kg (without decorative plate)	Weight Set + decorative plate	350 01 113 810
18 ^{3,7} Base frame with castors M4, 180 kg, 94 x 94 x 14.6 cm, hot-dip galvanised steel, anthracite RAL 7016, frame approx. 30 kg (without decorative plate)	Weight Set + decorative plate	350 01 113 820
Weight Set for base with castors M4, 180 kg, 4 pieces, concrete, (Weight Set approx. 150 kg)		350 01 110 800
19 ¹ Decorative plate in grey white RAL 9002 for base with castors M4, 180 kg, aluminium composite		350 01 113 910
20 Decorative plate in anthracite RAL 7016 for base with castors M4, 180 kg, aluminium composite		350 01 113 920

¹while stocks last

³only suitable for smooth, joint free surface coverings

⁶not suitable for cover for M4 base

⁷120 kg / 180 kg: Ground clearance 13 mm

⁸suitable for corrosive environments

